

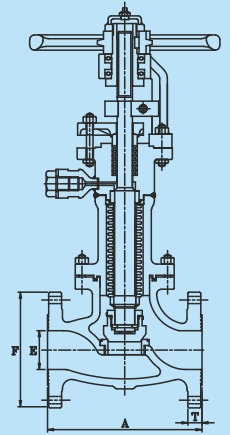
BELLOWS SEALED GLOBE VALVES

SERIES 23D CLASS 150 & 300
Ends: Flanged and Welding ends



FEATURES

- 5000 cycle bellows design
- Low closing torque at high temperature
- Hydraulic, pneumatic, and helium test on all valves
- Gear, pneumatic, or automated operation
- Temperature range -196 °C to 540 °C
- Design standard BS 5352, BS 1873



Dimensions are in mm

SIZE CLASS	A		E		F		T	
	150	300	150	300	150	300	150	300
15	108	152	15	15	89.0	95.0	11.5	15
20	117	178	19	19	98.0	117.0	13.0	16
25	127	203	25	25	108.0	124.0	11.5	18
32	140	216	32	32	117.0	133.0	13.0	20
40	165	229	38	38	127.0	156.0	14.5	21
50	203	267	50	50	152.0	165.0	16.0	23
80	216	292	65	65	178.0	191.0	17.5	26
100	241	318	76	76	190.5	210.0	19.5	29
125	292	356	102	102	229.0	254.0	24.0	32
150	406	444	152	152	279.0	318.0	25.5	37
200	495	559	203	203	343.0	381.0	29.0	42
250	622	622	254	254	406.0	445.0	30.5	48
300	698	711	305	305	483.0	521.0	32.0	51

Materials of construction

Body, Bonnet, Yoke	Casting: WCB, CF8M, CF8 Forging: A105, F304, F316 Other material on request.
Seat ring, Disc plug	Casting: CF8, CF8M Bar: 304, 316
Spindle	410, 316, 304
Bellow	316Ti, Hast-C, Inconel
Gland	Casting: CF8, CF8M Bar: 304, 316
Body seal	PTFE, spiral wound gasket with filler
Gland packing	PTFE, Graphite

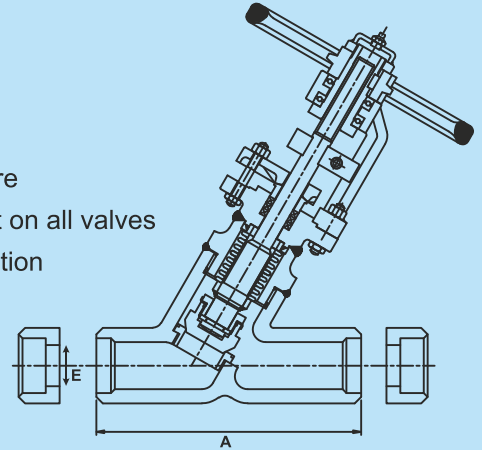
BELLOWS SEALED GLOBE VALVES

SERIES 22D CLASS 800
Ends: Screwed, welding ends



FEATURES

- 5000 cycle bellows design
- Low closing torque at high temperature
- Hydraulic, pneumatic, and helium test on all valves
- Gear, pneumatic, or automated operation
- Temperature range -196 °C to 540 °C
- Design standard BS 5352, BS 1873



Dimensions are in mm

SIZE	A	E
15	95	9.5
20	95	12.0
25	127	17.5
32	127	22.5
40	140	29.5

Materials of construction

Body, Bonnet, Yoke	A105, F304, F316 Other material on request.
Seat ring, Disc plug	304, 316
Spindle	410, 316, 304
Bellow	316Ti, Hast-C, Inconel
Gland	304, 316
Body seal	PTFE, spiral wound gasket with filler
Gland packing	PTFE, Graphite